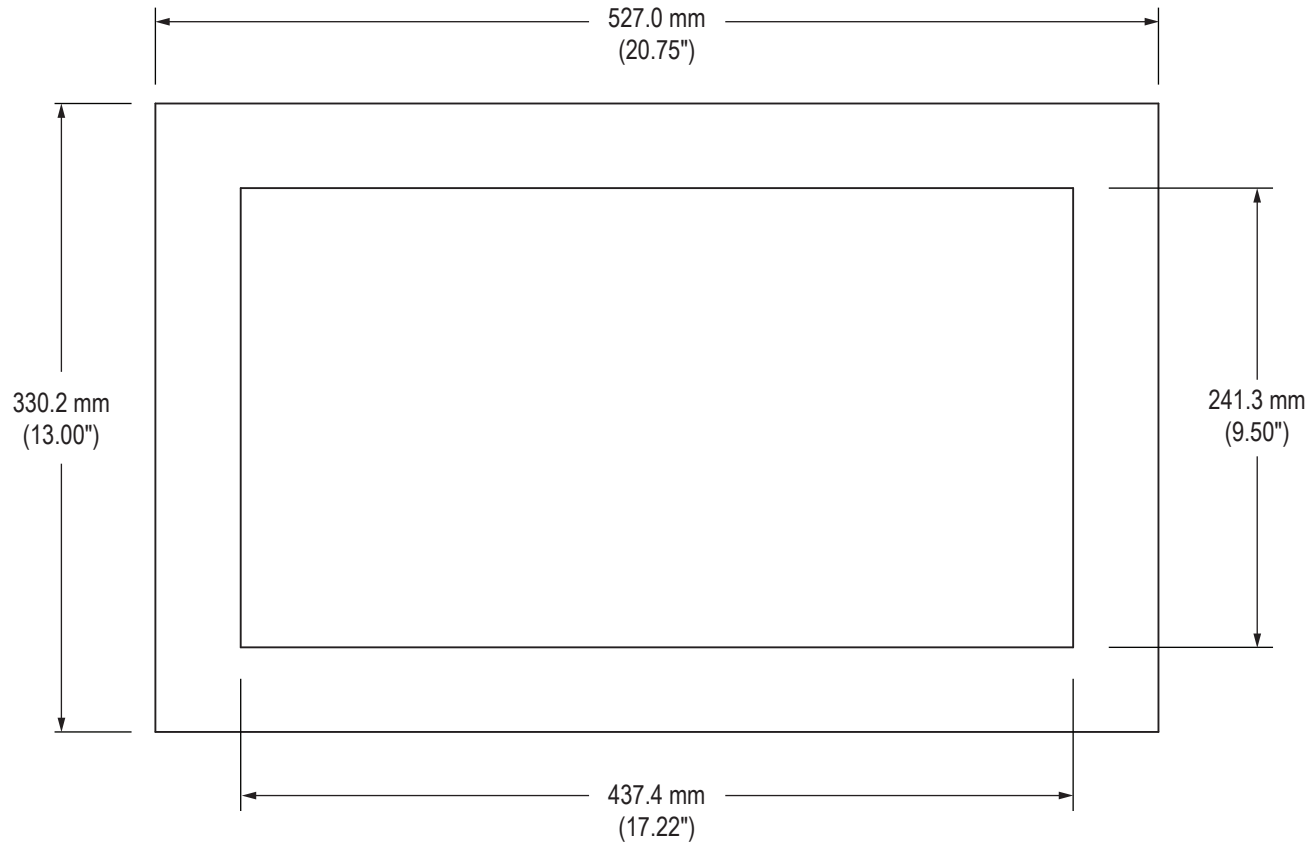
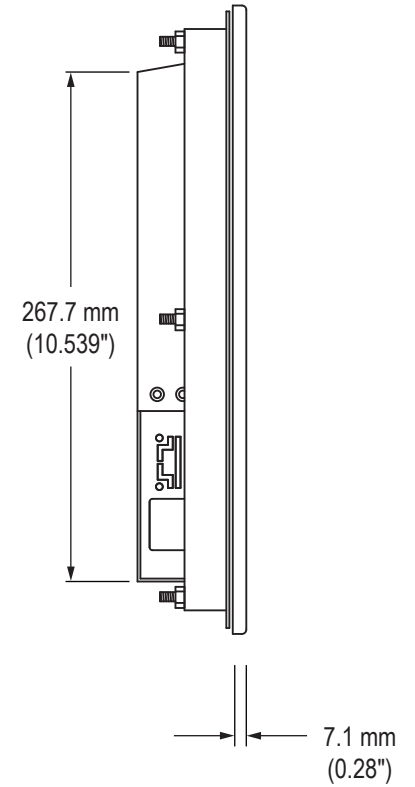


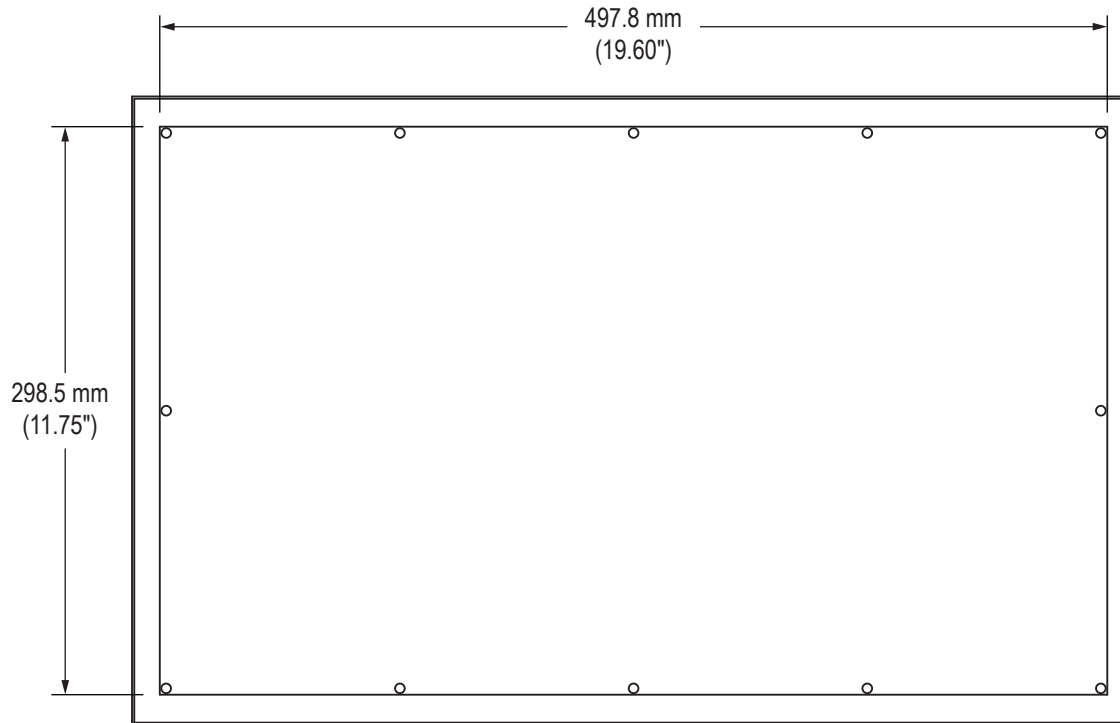
Front View



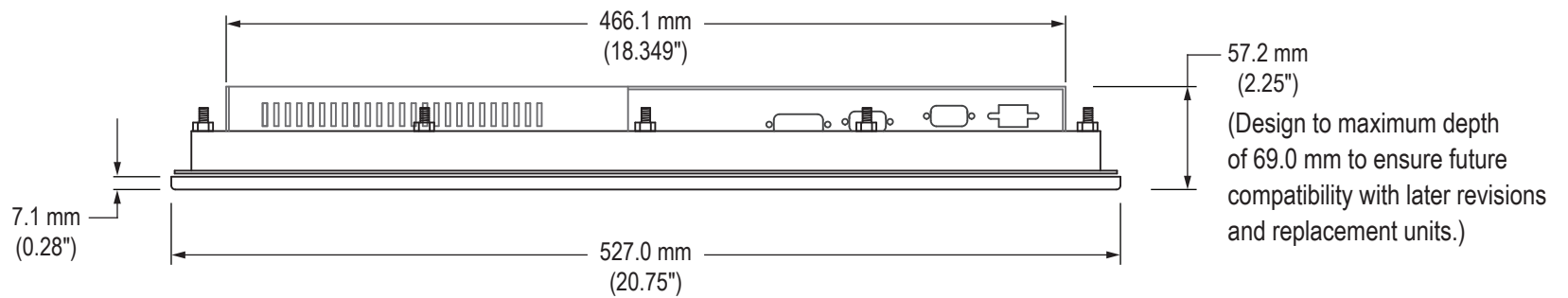
Side View



Rear View (showing Cutout Dimensions)



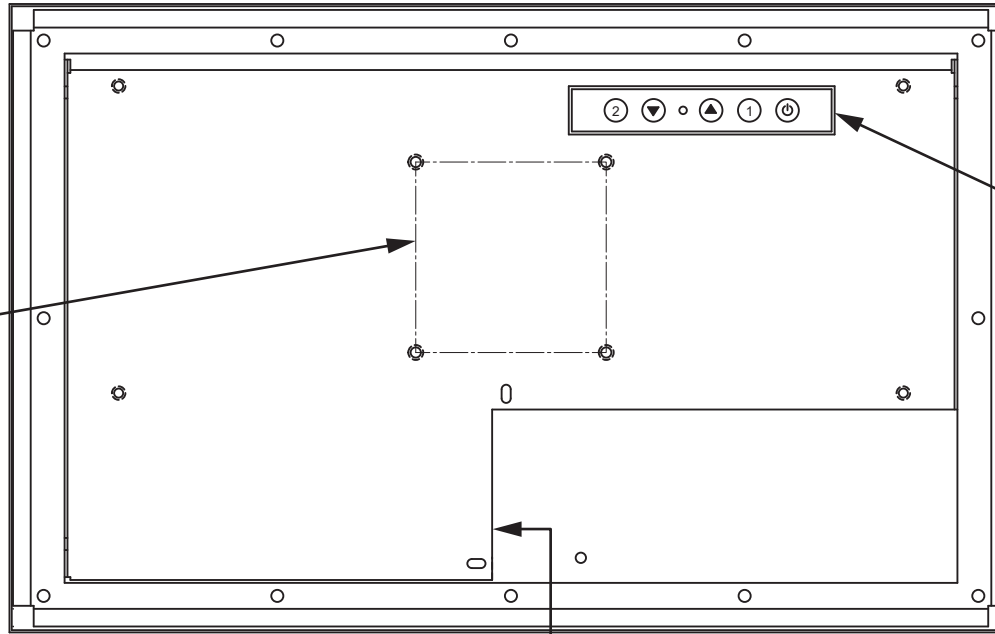
Bottom View



Cable Connections

Rear View

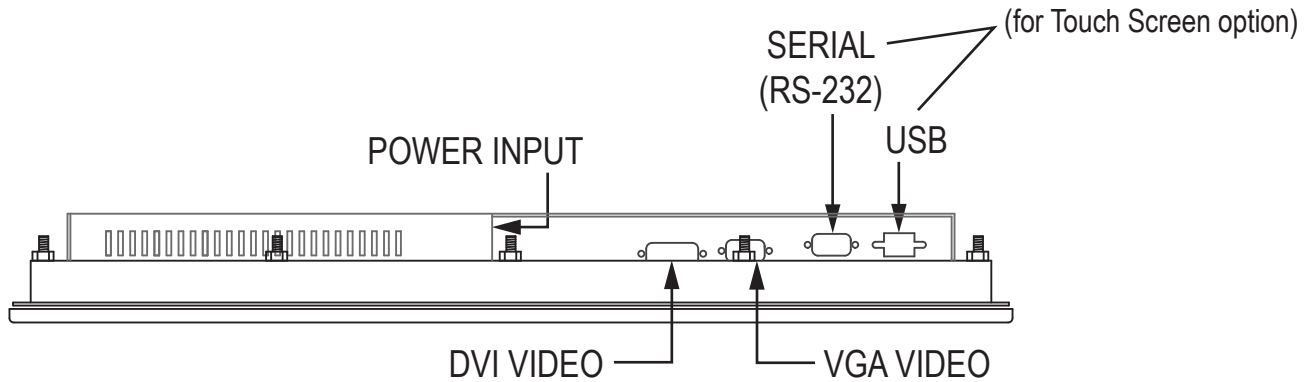
100 mm VESA
MOUNTING PATTERN
(M4 SCREWS PROVIDED,
16 mm MAXIMUM DEPTH
OF SCREW)



CONTROL PANEL
BUTTONS

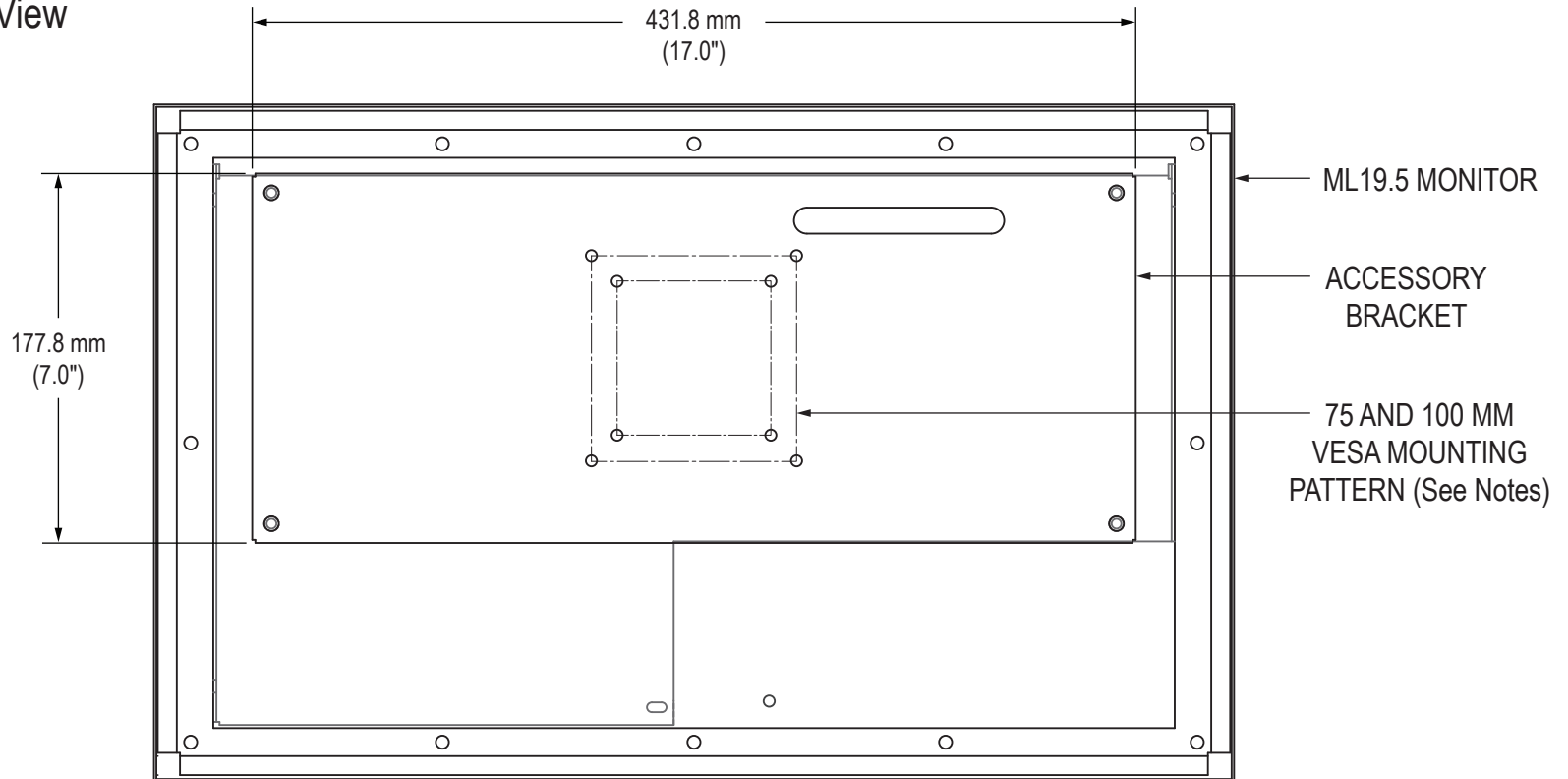
POWER INPUT

Bottom View



VB-20A Accessory Mounting Bracket

Rear View



Bottom View

