



Installation Instructions

YA __ -15- __ and YA __ -24- __ Series

Heavy Industrial Wall Mount Arms

For YA __ -15- __ Arms

1. Refer to Figure 1. Create the mounting pattern on the wall surface.
2. Refer to Figure 1. Mount the arm to the wall using four 1/4"-5/16" screws or bolts (not included) in the four locations on the mounting bracket.
3. Refer to Figure 3 (on page 2). Mount the monitor onto the wall arm's yoke using the provided mounting hardware.

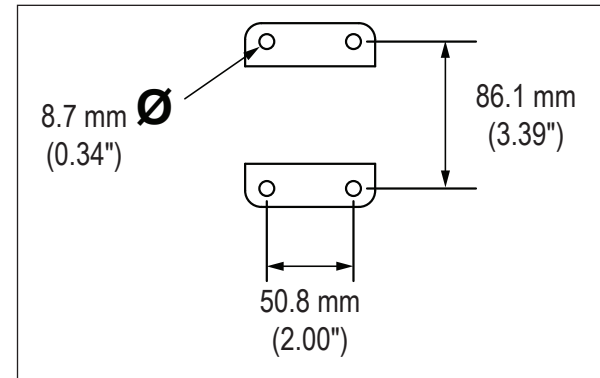


FIGURE 1 – YA __ -15- __ MOUNTING PATTERN

For YA __ -24- __ Arms

1. Refer to Figure 2. Create the mounting pattern on the wall surface.
2. Refer to Figure 2. Mount the arm to the wall using four 5/16" screws or bolts (not included) in the four locations on the mounting bracket.
3. Refer to Figure 3 (on page 2). Mount the monitor onto the wall arm's yoke using the provided mounting hardware.

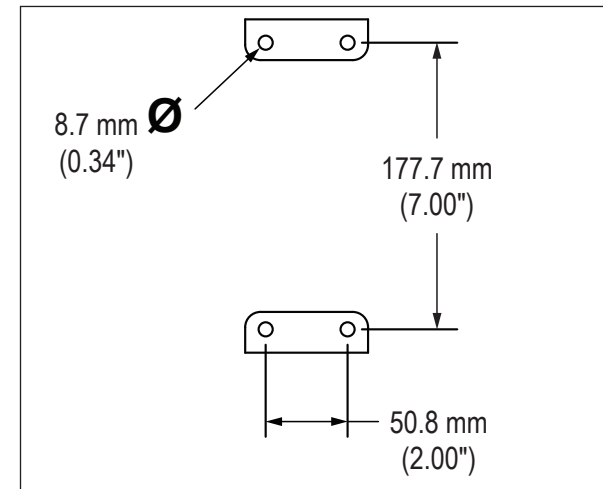


FIGURE 2 – YA __ -24- __ MOUNTING PATTERN



Heavy Industrial Wall Mount Arms Installation Instructions (continued)

FIGURE 3 – YOKE MOUNTING HARDWARE

